





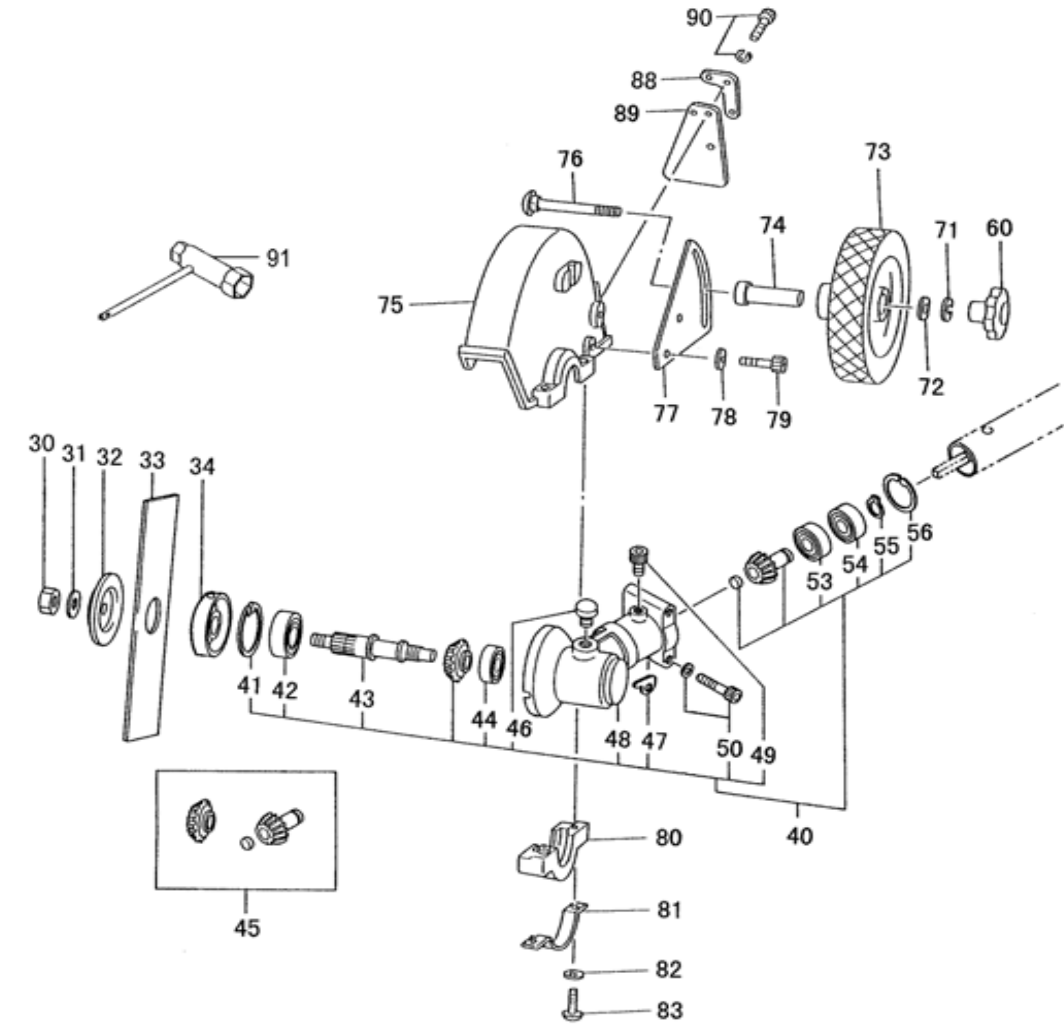






S29  
06-1

# SMART FIT GEAR CASE (PE-1)



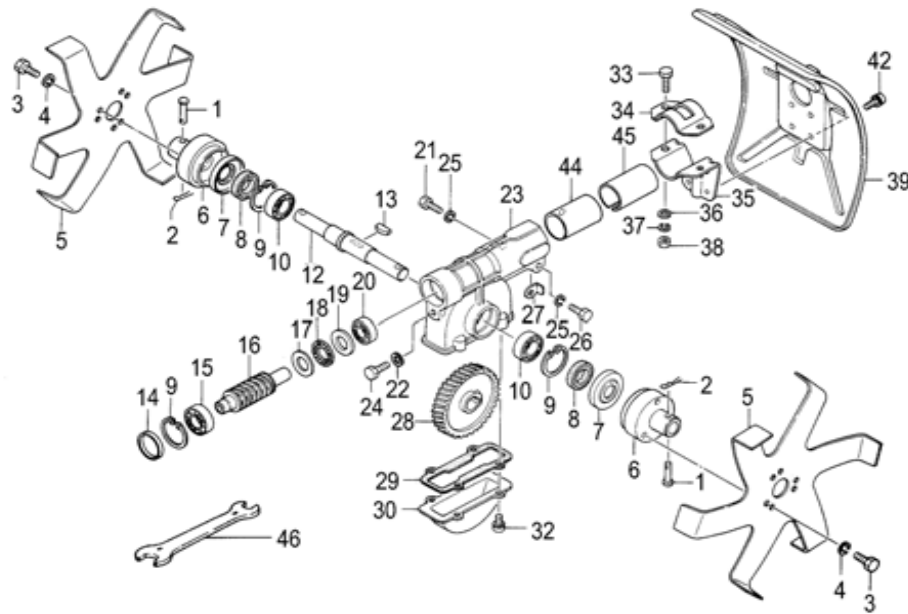
## Parts List

Ref.	Part No.	Description	Q'ty
030	991-06080-001	NUT 8/L.H.THREAD	1
031	992-01080-011	WASHER 8	1
032	311-37290-20	CUTTER HOLDER CAP	1
033	435-37290-20	CUTTING BLADE,205MM	1
034	310-37290-22	CUTTER HOLDER	1
040	300-37290-90	GEAR CASE ASSY, 23.9	1
041	993-51032-002	STOP RING C-32, INNER	1
042	999-61620-103	BALL BEARING 6201D, 32MM/OD	1
043	304-37290-20	GEAR SHAFT	1
044	999-61628-000	BALL BEARING 628 ST	1
045	301-37290-00	GEAR-PINION SET, SPARE	1
046	994-23080-100	PLUS HEAD BOLT 8X10	1
047	324-33410-20	GEAR CASE WASHER	1
048	300-37290-21	GEAR CASE, 23.9 DIA.	1
049	990-51050-103	HEX. HOLE BOLT 5X10	1
050	994-61050-254	HEX. HOLE BOLT 5X25/S	1
053	999-61609-000	BALL BEARING 609	1
054	999-61609-002	BALL BEARING 609Z ST	1
055	993-50009-002	STOP RING C-9, OUTER	1
056	993-51024-002	STOP RING C-24, INNER	1
060	210-37290-80	LOCK HANDLE KNOB COMP.	1
071	992-10080-012	S.WASHER 8	1
072	992-01080-011	WASHER 8	1
073	120-37294-80	WHEEL	1
074	049-37294-20	COLLAR	1
075	441-37290-22	BLADE GUARD	1
076	314-37294-20	SPECIAL BOLT	1
077	481-37294-20	WHEEL STAY	1
078	992-10060-062	S.WASHER 6	2
079	990-53060-153	HEX HOLE BUTTON SCREW 6X15	2
080	442-37290-21	COVER BRACKET	1
081	445-37294-20	BLADE GUARD HOLDER	1
082	992-10060-062	S.WASHER 6	2
083	990-53060-353	HEX. HOLE BOLT 6X35	2
		SEE NEXT PAGE	



S29  
07-1

# SMART FIT GEAR CASE (MC-1)



## Parts List

Ref.	Part No.	Description	Q'ty	Serial No.
001	400-39907-20	LOCK PIN	2	
002	821-32203-20	SNAP PIN 8	2	
003	990-21060-121	BOLT 6X12	6	
004	992-10060-012	S.WASHER 6	6	
005	820-39907-20	CUTTER	2	
006	310-39907-20	CUTTER HOLDER	2	
007	307-39907-20	PROTECTION COVER	2	
008	999-66152-863	OIL SEAL 15286	2	
009	993-51028-002	STOP RING C-28, INNER	3	
010	999-61690-200	BALL BEARING 6902, 28MM/OD	2	
012	304-39907-20	DRIVE SHAFT	1	
013	120-32201-20	WOOD-RUFF KEY 5X22X7X14	1	
014	322-39907-20	GEAR CASE CAP	1	
015	999-61600-101	BALL BEARING 6001ZZ, 28MM/OD	1	
016	002-33130-20	WORM SHAFT	1	
017	999-62122-669	THRUST WASHER 1226	1	
018	999-62122-668	THRUST NEEDLE BRG 2X4.5	1	
019	321-39907-20	STEP WASHER	1	
020	999-61690-101	BALL BEARING 6901ZZ, 24MM/OD	1	
021	990-21060-121	BOLT 6X12	1	
022	727-01040-20	DRAIN GASKET	1	
023	300-39909-20	GEAR CASE	1	
024	990-21060-121	BOLT 6X12	1	
025	992-10060-012	S.WASHER 6	2	
026	990-21060-251	BOLT 6X25	1	
027	249-0630G-20	SPACER	1	
028	301-39909-20	GEAR WHEEL	1	
029	318-39907-20	GEAR CASE GASKET	1	
030	323-39907-20	GEAR CASE COVER	1	
032	994-14050-101	SCREW 5X10/S	4	
033	990-21060-181	BOLT 6X18	2	
034	442-37325-20	COVER BRACKET, 26 DIA.	1	
035	445-33140-20	COVER HOLDER	1	
036	992-00060-011	SMALL WASHER 6	2	
		SEE NEXT PAGE		



**S29**  
**07-2**

# SMART FIT GEAR CASE (MC-2)

## Parts List

Ref.	Part No.	Description	Q'ty	Serial No.
037	992-10060-012	S.WASHER 6	2	
038	991-01060-011	NUT 6	2	
039	441-39907-20	SAFETY COVER	1	
042	994-15050-141	SCREW 5X14/PS	4	
044	348-33130-20	COLLAR B	1	
045	294-39909-20	COLLAR	1	
046	801-20000-20	SPANNER 8X10	1	

