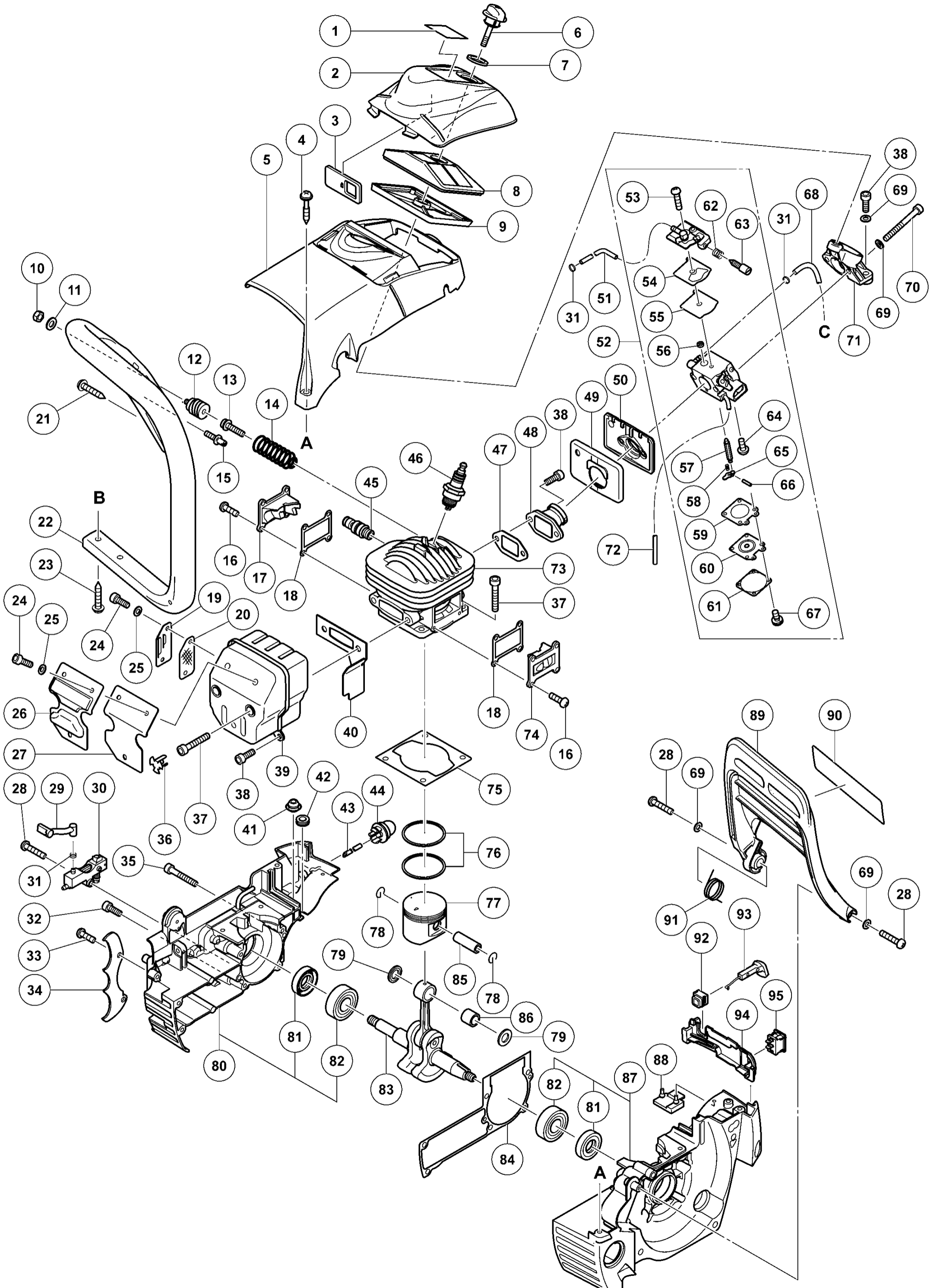


Tanaka

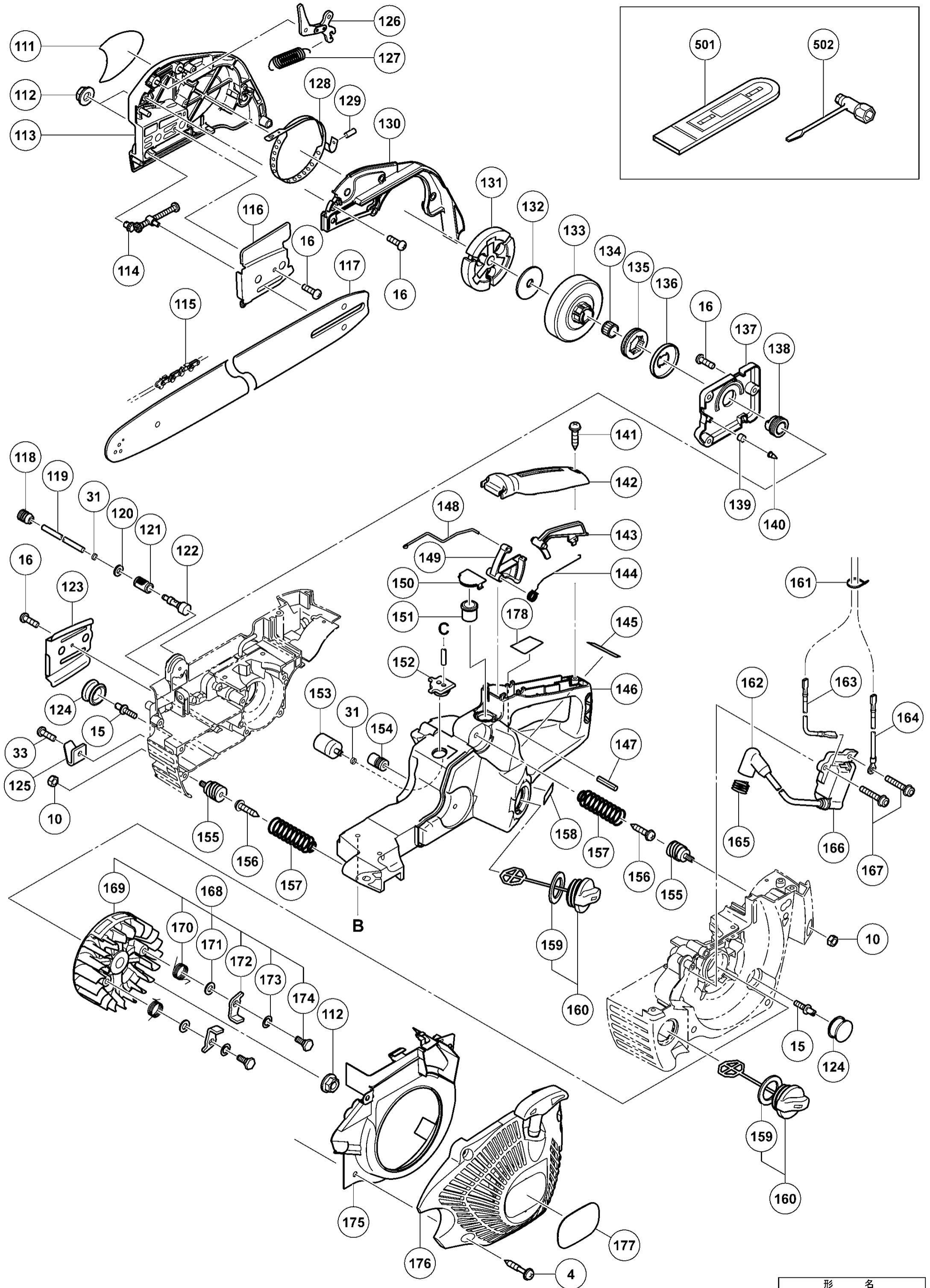
TCS51EAP

Serial No. P520001-

August 2012



形名
TCS51EAP(1/2)



形名
TCS51EAP(2/2)

Item	Part Number	Description	Qty	Notes
1	TK-6698919	START LABEL (C51) (EX)	1	
2	TK-6698568	CLEANER COVER (C51)	1	
3	TK-6698569	SHUTTER PLATE	1	
4	TK-6696903	COVER SET BOLT	7	
5	TK-6698708	CYLINDER COVER (C51)	1	
6	TK-6698595	CLEANER KNOB (VERMILLION)	1	
7	TK-6698570	KNOB PACKING	1	
8	TK-6698563	CLEANER ELEMENT (B)	1	
9	TK-6698562	CLEANER ELEMENT (A)	1	
10	TK-6698449	NUT M6	3	
11	TK-949432	BOLT WASHER M6 (10 PCS.)	1	
12	TK-6698429	SPRING HOLDER	1	
13	TK-881722	HEX. SOCKET HD. BOLT (W/FLANGE) M6X20	1	
14	TK-6698428	ANTIVIBRATION SPRING	1	
15	TK-6685413	DAMPER SET BOLT	3	
16	TK-6696835	SEAL LOCK SCREW M4X10	18	
17	TK-6698539	SCAVENGING COVER (B)	1	
18	TK-6698540	COVER PACKING (C51)	2	
19	TK-6698903	EXHAUST PIPE (C51)	1	
20	TK-6698575	MUFFLER GAUZE (C51)	1	
21	TK-305558	TAPPING SCREW (W/FLANGE) D5X25 (BLACK)	2	
22	TK-6698578	FRONT HANDLE	1	
23	TK-302089	TAPPING SCREW (W/FLANGE) D5X20 (BLACK)	2	
24	TK-949812	HEX. SOCKET HD. BOLT M4X10 (10 PCS.)	5	
25	TK-323210	BOLT WASHER M4 (BLACK)	5	
26	TK-6698904	MUFFLER PROTECTOR	1	
27	TK-6698905	MUFFLER PROTECTOR GAUZE	1	
28	TK-949219	MACHINE SCREW M4X16 (10 PCS.)	3	
29	TK-6698900	OIL PIPE (CS40)	1	
30	TK-6698554	OIL PUMP	1	
31	TK-6685311	CLIP	5	
32	TK-6685412	SEAL LOCK HEX. SOCKET HD. BOLT M5	4	
33	TK-6698901	SEAL LOCK SCREW M5X12	3	
34	TK-6685400	SPIKE	1	
35	TK-6698902	SEAL LOCK HEX. SOCKET HD. BOLT M5X45	2	
36	TK-6698706	MUFFLER CAP	2	
37	TK-6698899	SEAL LOCK HEX. SOCKET HD. BOLT M6X20	6	
38	TK-6696836	HEX. SOCKET HD. BOLT M5X12 (PRECOTE)	4	
39	TK-6698573	MUFFLER (C51)	1	
40	TK-6698576	MUFFLER PACKING (C51)	1	
41	TK-6685308	FUEL GROMMET (A)	2	
43	TK-700.02504.09	FUEL PIPE 2.5X4X90	1	
44	TK-442.25143.80	PRIMING PUMP COMP.	1	
45	TK-6698541	DECOMP.	1	
*46	TK-018.12710.20	SPARK PLUG BPMR7A	1	
47	TK-6698549	INTAKE PACKING (C51)	1	
48	TK-6698906	INTAKE (CS51)	1	
49	TK-6698551	CAB. INSULATOR RUBBER	1	
50	TK-6698552	CARBURETOR INSULATOR (C51)	1	

Item	Part Number	Description	Qty	Notes
51	TK-6698907	FUEL PIPE (FKM)	1	
52	TK-6698705	CARBURETOR ASS'Y	1	INCLUD.53-67
53	TK-514.25001.20	SCREW	1	
54	TK-577.25007.20	PUMP GASKET	1	
55	TK-576.25006.20	PUMP DIAPHRAGM	1	
56	TK-578.25007.20	INLET SCREEN	1	
57	TK-603.25012.20	NEEDLE VALVE	1	
58	TK-477.25088.20	VALVE SPRING	1	
59	TK-475.25038.20	DIAPHRAGM PACKING-METERING	1	
60	TK-474.25601.20	METERING DIAPHRAGM	1	
61	TK-476.25004.20	DIAPHRAGM COVER-METERING	1	
62	TK-463.25012.20	IDLE ADJUST SPRING	1	
63	TK-462.25016.20	IDLE ADJUST SCREW	1	
64	TK-546.25001.20	HINGE PIN SET SCREW	1	
65	TK-473.25001.20	CONTROL LEVER	1	
66	TK-605.25001.20	HINGE PIN	1	
67	TK-548.25012.20	SET SCREW	1	
*68	TK-6698908	FUEL PIPE	1	
*68	TK-6698930	FUEL PIPE	1	FOR USA.CAN
69	TK-6685408	WASHER 5	4	
70	TK-6696317	HEX. SOCKET HD. BOLT M5X45	2	
71	TK-6698553	CLEANER SUPPORT (C51)	1	
72	TK-6698721	FUEL PIPE	1	
73	TK-6698537	CYLINDER	1	
74	TK-6698538	SCAVENGING COVER (A)	1	
75	TK-6698542	CYLINDER PACKING (C51)	1	
76	TK-6698534	PISTON RING	2	
77	TK-6698909	PISTON (44) (M)	1	
78	TK-6696854	CIR CLIP	2	
79	TK-6698910	PISTON PIN COLLAR (C51)	2	
80	TK-6698531	ENGINE CASE (B) ASS'Y	1	INCLUD.81.82
81	TK-6698914	OIL SEAL	2	
82	TK-6202C3	BALL BEARING 6202C3	2	
83	TK-6698532	CRANK SHAFT	1	
84	TK-6698535	CRANK CASE PACKING (C51)	1	
85	TK-6696855	PISTON PIN	1	
86	TK-6698911	NEEDLE BEARING (A)	1	
87	TK-6698530	ENGINE CASE (A) ASS'Y	1	INCLUD.81.82
88	TK-6698709	REAR DAMPER (C51)	1	
89	TK-6698572	BRAKE HANDLE	1	
90	TK-	CAUTION LABEL (A) (EURO)	1	
90	TK-	CAUTION LABEL (C) (USA)	1	
91	TK-6698912	BRAKE LEVER SPRING (B)	1	
92	TK-6685369	CHOKE ROD RUBBER	1	
93	TK-6698593	CHOKE BUTTON (VERMILION)	1	
94	TK-6698565	OPERATION PLATE	1	
95	TK-6696940	STOP SWITCH	1	
96	TK-6698988	HEX. SOCKET HD. BOLT (W/BUTTON) M5X20	1	
*111	TK-6698936	NAME PLATE	1	

Item	Part Number	Description	Qty	Notes
*111	TK-6698935	NAME PLATE	1	FOR USA.CAN
112	TK-6698581	FLANGE NUT M8	3	
113	TK-6698585	SIDE CASE SUB	1	
114	TK-6698591	CHAIN PULLER BOLT	1	
*115	TK-134.3286F.20	SAW CHAIN 13 INCH	1	EXCEPT FOR USA.CAN
*115	TK-149.3285E.20	SAW CHAIN 15 INCH	1	EXCEPT FOR USA.CAN
*115	TK-138.3285B.20	SAW CHAIN 16 INCH	1	
*115	TK-136.3285A.20	SAW CHAIN 18 INCH	1	
*115	TK-6698710	SAW CHAIN 20 INCH 0.325	1	
116	TK-6698592	GUIDE PLATE (B)	1	
*117	TK-6696913	CHAIN BAR 13 INCH MICRO-LITE	1	EXCEPT FOR USA.CAN
*117	TK-6696914	CHAIN BAR 15 INCH	1	EXCEPT FOR USA.CAN
*117	TK-6696915	CHAIN BAR 16 INCH	1	
*117	TK-6696916	CHAIN BAR 18 INCH MICRO-LITE	1	
*117	TK-6698642	CHAIN BAR 20 INCH 0.325 SP	1	
118	TK-6696868	OIL GROMMET (A)	1	
119	TK-6698719	FUEL PIPE	1	
120	TK-6685407	BOLT WASHER D5	1	
121	TK-6698455	OIL FILTER	1	
122	TK-6698536	OIL FILTER BODY	1	
123	TK-6698561	GUIDE PLATE (A)	1	
124	TK-6698913	DAMPER (C51)	2	
125	TK-6696894	CHAIN CATCHER	1	
126	TK-6698587	BRAKE LINK	1	
127	TK-6698588	BRAKE SPRING	1	
128	TK-6698589	BRAKE BAND	1	
129	TK-6685391	NEEDLE ROLLER D3	1	
130	TK-6698590	BRAKE LINK COVER	1	
131	TK-6698560	CLUTCH	1	
132	TK-6696882	CLUTCH WASHER (B)	1	
133	TK-6698558	CLUTCH HOUSING	1	
134	TK-6696884	NEEDLE BEARING	1	
135	TK-6698557	RIM SPROCKET	1	
136	TK-6698556	CLUTCH WASHER	1	
137	TK-6698555	OIL PUMP COVER (C51)	1	
138	TK-6696886	WORM	1	
139	TK-6685371	AIR VENT SPONGE	1	
140	TK-6685370	AIR VENT VALVE (B)	1	
141	TK-305812	TAPPING SCREW (W/FLANGE) D4X16 (BLACK)	1	
142	TK-6698805	REAR HANDLE GRIP	1	
143	TK-6685350	TRIGGER LOCKOUT (VERMILION)	1	
144	TK-6696838	THROTTLE LEVER SPRING	1	
145	TK-	NUMBER PLATE	1	
146	TK-6698579	REAR HANDLE	1	
147	TK-993.26005.254	SPRING PIN 5X25	1	
148	TK-6698564	THROTTLE ROD	1	
149	TK-6698916	THROTTLE LEVER (VERMILION)	1	
150	TK-6698580	AIR VALVE CAP	1	
151	TK-6685351	INNER CAP	1	

Item	Part Number	Description	Qty	Notes
152	TK-701.72930.20	FUEL GROMMET	1	
153	TK-675.11657.90	PUMP FILTER BODY	1	
154	TK-6696873	FRONT DAMPER	1	
155	TK-6698409	SPRING HOLDER	2	
156	TK-6696872	FLANGED TAPPING SCREW D6	2	
157	TK-6698408	ANTIVIBRATION SPRING	2	
158	TK-6698921	TANK MARK LABEL (50:1)	1	
159	TK-630.32710.20	TANK CAP PACKING	2	
160	TK-6698854	FUEL TANK CAP ASS'Y (VERMILION)	1	INCLUD.159
161	TK-988054	CABLE TIE	1	
162	TK-6698548	PLUG CAP	1	
163	TK-6698545	CORD (A)	1	
164	TK-6698546	CORD (B)	1	
165	TK-6698547	METAL FITTING OF PLUG CAP	1	
166	TK-6698544	IGNITION COIL	1	
167	TK-6696326	HEX. SOCKET HD. BOLT (W/FLANGE) M4X18	2	
168	TK-6698918	MAGNETO ASS'Y	1	INCLUD.169-174
169	TK-6698543	MAGNETO ROTOR	1	
170	TK-6698417	STARTER PAWL SPRING	2	
171	TK-6696857	WASHER 0.8	2	
172	TK-6696877	STARTER PAWL	2	
173	TK-6696434	SHIM	2	
174	TK-6696878	STEP BOLT	2	
175	TK-6698571	AIR DEFLECTOR	1	
176	TK-6698583	RECOIL STARTER	1	
*177	TK-6698895	TANAKA LABEL	1	
*177	TK-6698896	TANAKA LABEL	1	FOR USA.CAN
178	TK-6698923	CAUTION LABEL (L)	1	FOR USA.CAN
	TK-	STANDARD ACCESSORIES		
*501	TK-6685439	CHAIN COVER 14"	1	FOR 13".15" CHAIN BAR
*501	TK-6696909	CHAIN COVER 16"	1	
*501	TK-6696910	CHAIN COVER 18"	1	
*501	TK-6698577	CHAIN COVER 20"	1	
502	TK-6698582	COMBI BOX SPANNER 13X19	1	